

Simcenter™ Flotherm™ XT Release Highlights

Software Version 2020.2

January 2021

Unpublished work. © Siemens 2021

This document contains information that is confidential and proprietary to Mentor Graphics Corporation, Siemens Industry Software Inc., or their affiliates (collectively, "Siemens"). The original recipient of this document may duplicate this document in whole or in part for internal business purposes only, provided that this entire notice appears in all copies. In duplicating any part of this document, the recipient agrees to make every reasonable effort to prevent the unauthorized use and distribution of the confidential and proprietary information.

This document is for information and instruction purposes. Siemens reserves the right to make changes in specifications and other information contained in this publication without prior notice, and the reader should, in all cases, consult Siemens to determine whether any changes have been made.

The terms and conditions governing the sale and licensing of Siemens products are set forth in written agreements between Siemens and its customers.

No representation or other affirmation of fact contained in this publication shall be deemed to be a warranty or give rise to any liability of Siemens whatsoever.

SIEMENS MAKES NO WARRANTY OF ANY KIND WITH REGARD TO THIS MATERIAL INCLUDING, BUT NOT LIMITED TO, THE IMPLIED WARRANTIES OF MERCHANTABILITY, FITNESS FOR A PARTICULAR PURPOSE, AND NON-INFRINGEMENT OF INTELLECTUAL PROPERTY.

SIEMENS SHALL NOT BE LIABLE FOR ANY DIRECT, INDIRECT, INCIDENTAL, CONSEQUENTIAL OR PUNITIVE DAMAGES, LOST DATA OR PROFITS, EVEN IF SUCH DAMAGES WERE FORESEEABLE, ARISING OUT OF OR RELATED TO THIS PUBLICATION OR THE INFORMATION CONTAINED IN IT, EVEN IF SIEMENS HAS BEEN ADVISED OF THE POSSIBILITY OF SUCH DAMAGES.

LICENSE RIGHTS APPLICABLE TO THE U.S. GOVERNMENT: This document explains the capabilities of commercial products that were developed exclusively at private expense. If the products are acquired directly or indirectly for use by the U.S. Government, then the parties agree that the products and this document are considered "Commercial Items" and "Commercial Computer Software" or "Computer Software Documentation," as defined in 48 C.F.R. §2.101 and 48 C.F.R. §252.227-7014(a)(1) and (a)(5), as applicable. Software and this document may only be used under the terms and conditions of the applicable license agreement with Siemens as required by 48 C.F.R. §12.212 and 48 C.F.R. §227.7202. The U.S. Government will only have the rights set forth in the End User License Agreement, which supersedes any conflicting terms or conditions in any government order document, except for provisions which are contrary to applicable mandatory federal laws.

TRADEMARKS: The trademarks, logos and service marks ("Marks") used herein are the property of Siemens or other parties. No one is permitted to use these Marks without the prior written consent of Siemens or the owner of the Marks, as applicable. The use herein of third party Marks is not an attempt to indicate Siemens as a source of a product, but is intended to indicate a product from, or associated with, a particular third party. A list of Siemens' trademarks may be viewed at: www.plm.automation.siemens.com/global/en/legal/trademarks.html and mentor.com/trademarks.

The registered trademark Linux® is used pursuant to a sublicense from LMI, the exclusive licensee of Linus Torvalds, owner of the mark on a world-wide basis.

Support Center: support.sw.siemens.com

Send Feedback on Documentation: support.sw.siemens.com/doc_feedback_form

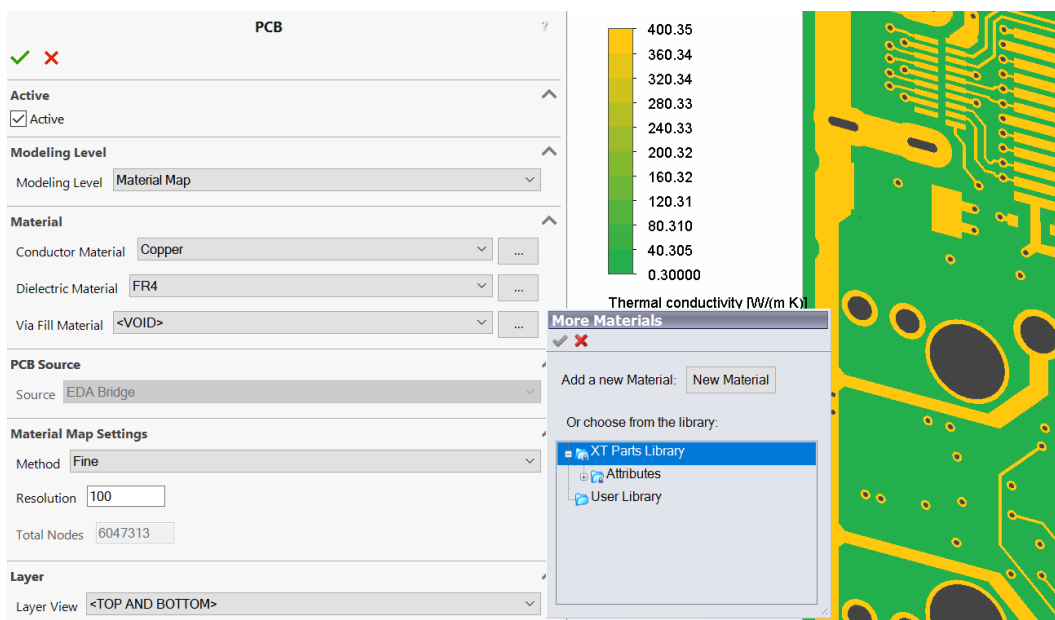
Introduction

This document provides a high-level overview of this release. It includes a summary of the new features in this release, any authorization code changes required, any major installation changes, and any transitioning issues you should be aware of before installing.

New Features

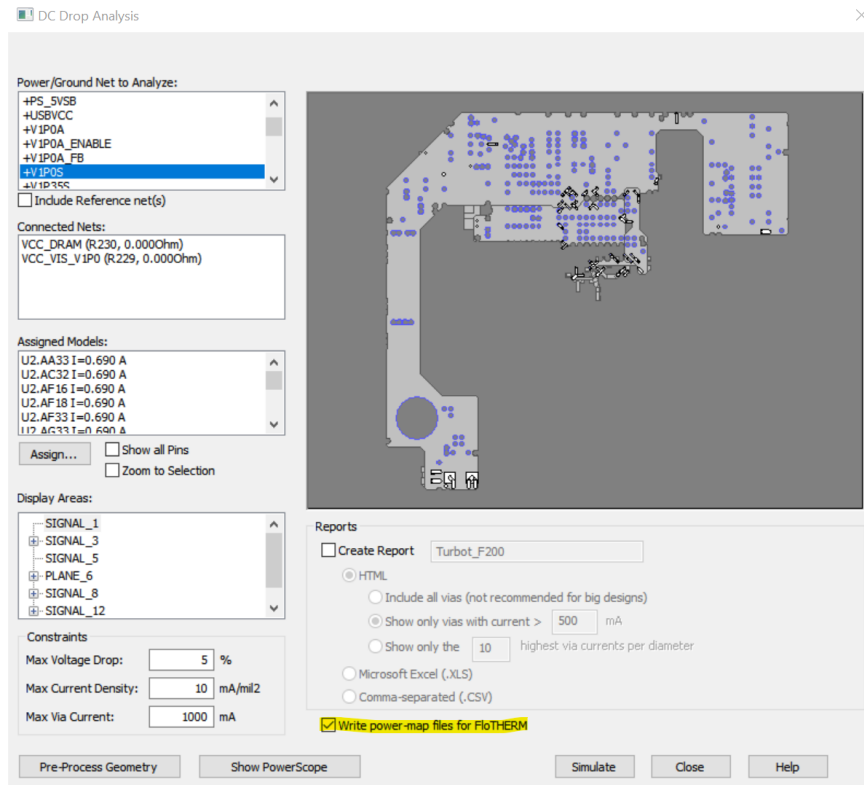
The following new features are available in this Simcenter™ Flotherm™ XT software release.

- **Enhancements to enable different material to be used in Material Map option in PCB SmartPart (transferred from EDA Bridge):**
 - User is able to set material for:
 - Conductor layers
 - Dielectric layers.
 - Via fill material
 - User picks material from project list, library or creates new
 - Use “Void” to represent drilled via.



- **Import Power Map from DC Drop calculation in HyperLynx® PI software (V8.2.1 and newer):**

- Obtain File from HyperLynx PI DC Drop calculation using “Write power-map files for Flotherm” tick box.



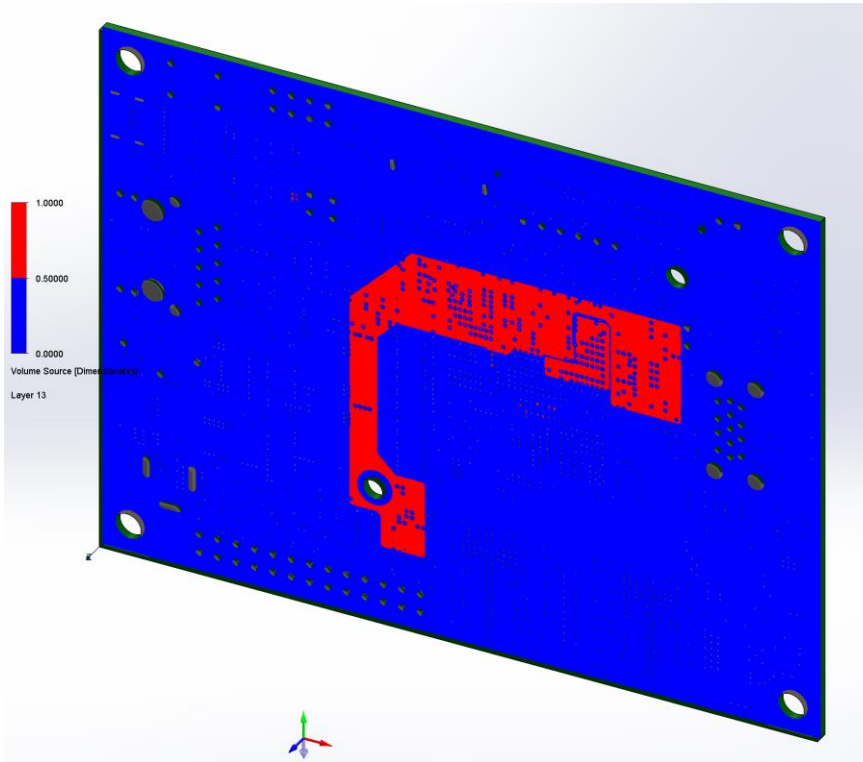
- Import files into PCB SmartPart with material map transferred from EDA Bridge
 - Repeat for each net required
 - Power for each net and total power displayed

Imported Sources

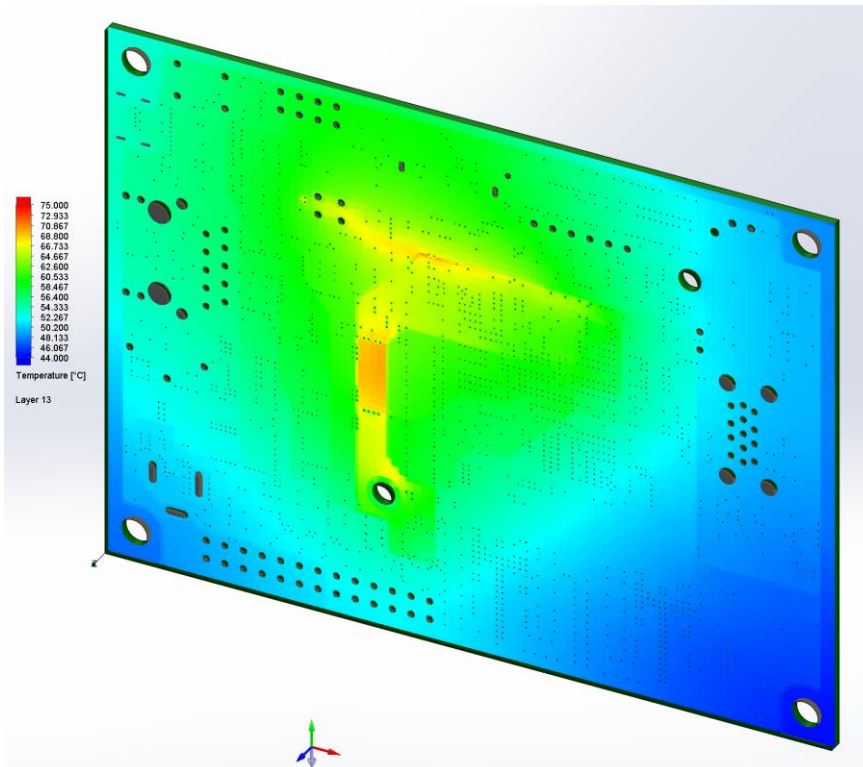
Import From File

Net Name	Power (W)
+V1POS	3.5385
+V1POA	3.2750
Total Power	6.8136

- View layer with Volume Source [dimensionless] active to check position of power.
- Red illustrates powered area.

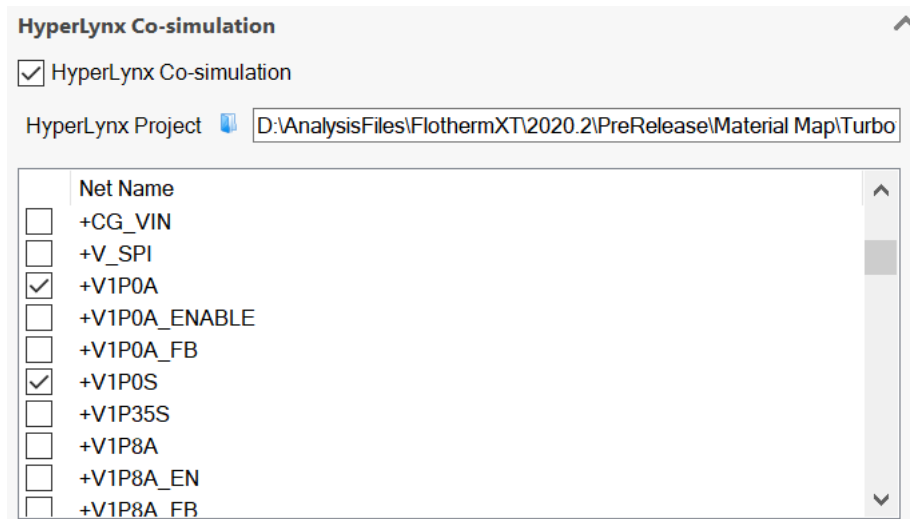


- After solution temperature can be displayed.



- **Co-simulation to account for temperature in DC Drop Calculation in HyperLynx PI and return updated power values (HyperLynx PI VX.2.8 required):**

- User connects to HyperLynx project.
- User selects nets of interest (DC Drop simulation settings required to be set in HyperLynx for each of these nets)



- At each iteration until convergence:
 - Temperature passed from Simcenter Flotherm XT to DC Drop calculation to ensure correct value for electrical resistivity.
 - DC Drop simulation performed by HyperLynx PI
 - Power passed back to Simcenter Flotherm XT
- *Note that HyperLynx PI must be installed on the same computer that is being used to run Simcenter Flotherm XT.*

For a detailed list of new features, refer to your product specific release notes manual or README file, available in the installed software tree or on Support Center.

Licensing

This release uses the Mentor Standard Licensing v2019_3 which requires a FLEXnet license server running at version 11.16.4.0 or higher. If you use floating licenses, you will need to update the license server accordingly. Download the latest licensing software from Support Center. Alternatively license server is available from product installation.

Authorization Codes

No changes to authorization codes are required for this release.

You can download your existing authorization codes from Support Center -> Account Center -> Licenses:

account.sw.siemens.com/licenses

For additional information on licensing, refer to the *Mentor Standard Licensing Manual*.

Supported Platforms

Supported Operating Systems (Full Software):

- Microsoft Windows 10 Versions 1909, 2004, 20H2 (Pro or Enterprise 64-bit edition).
- Microsoft Windows Server 2016 64-bit edition.
- Microsoft Windows Server 2019 64-bit edition.

Supported Operating Systems (Solver Only):

- Linux RHEL 6.6 x64
- Linux RHEL 7.3 x64
- Linux SLES 11.3 x64
- Linux SLES 12 x64

Localized Languages

- Japanese
- Simplified Chinese

Compatible Releases

The following releases are compatible with Simcenter Flotherm XT 2020.1:

- For full co-simulation - HyperLynx PI VX.2.8.
- For power map import - HyperLynx PI V8.2.1 and newer.

- HEEDS 2020.1.1
- HEEDS 2019.2.2
- HEEDS 2019.1.1

Note: To support a particular version of Simcenter Flotherm XT the portal setting in HEEDS™ software need to be adjusted to use the appropriate Simcenter Flotherm XT executables.

- In HEEDS go to File \ Options \ Analysis Portals.
- Select Simcenter Flotherm XT.
- Set “Solver Install” to correct location
 - For Simcenter Flotherm XT 2020.2 the default location following installation is:
"C:/Program Files/Mentor Graphics/Simcenter Flotherm XT
2020.2/FTXT/NGP/bin/NGP_ParametricStudyStarter.exe"

Global Customer Support and Success

A support contract with Mentor, a Siemens Business, is a valuable investment in your organization's success. With a support contract, you have 24/7 access to the comprehensive and personalized Support Center portal.

Support Center features an extensive knowledge base to quickly troubleshoot issues by product and version. You can also download the latest releases, access the most up-to-date documentation, and submit a support case through a streamlined process.

support.sw.siemens.com/

If your site is under a current support contract but you do not have a Support Center login, register here:

support.sw.siemens.com/register

Simcenter Flotherm Community

Join Simcenter Flotherm community of experts to ask questions, solve issues, help others, and submit product ideas.

<https://community.sw.siemens.com/s/topic/0TO40000000IN0rWAG/simcenter-flotherm>